



ACORN SAFETY
P.O. BOX 3527
CITY OF INDUSTRY, CA 91744-0527
UNITED STATES OF AMERICA
WWW.ACORNSAFETY.COM

INSTALLATION, OPERATION AND MAINTENANCE INSTRUCTIONS

COMBINATION STATIONS



Models: S1310, S1320, S1330, S1340, S2310, S2330, S2340

TECHNICAL ASSISTANCE TOLL FREE TELEPHONE NUMBER

1.800.591.9360

TECHNICAL ASSISTANCE FAX: 1.626.855.4894

NOTES TO THE INSTALLER:

- 1. Please leave this documentation with the owner of the fixture when finished.**
- 2. Please read this entire booklet before beginning the installation.**
- 3. Check your installation for compliance with plumbing, electrical, ANSI Z358.1 and other applicable codes.**

LIMITED WARRANTY

UNITED STATES AND CANADA

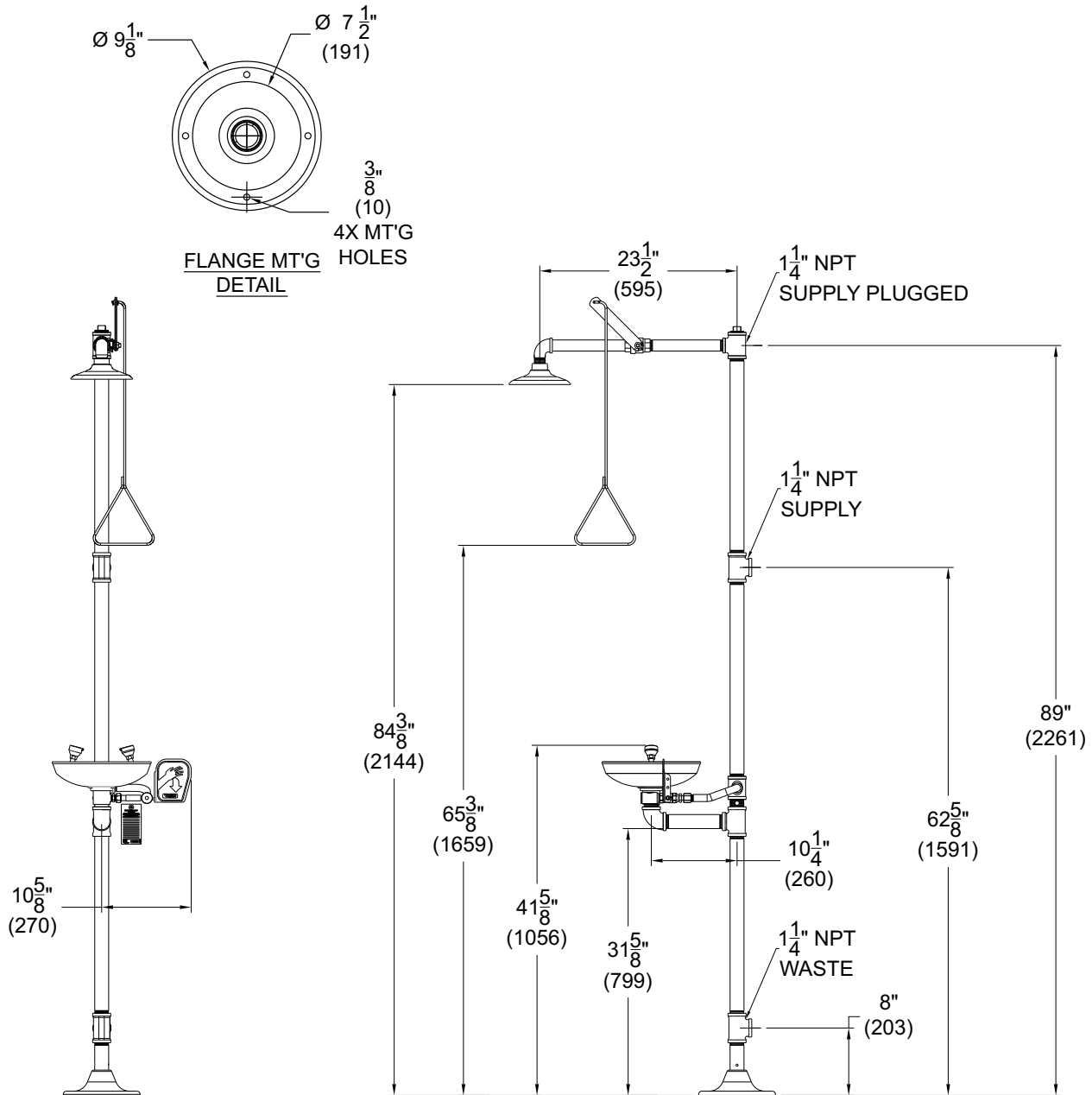
Acorn Safety warrants that its products are free from defects in material or workmanship under normal use and service for a period of one year from date of shipment or 18 months after the date of shipment from factory, whichever comes first. Acorn's liability under this warranty shall be discharged solely by replacement or repair of defective material, provided Acorn is notified in writing within one year from date of shipment, F.O.B. Industry, California.

This warranty does not cover installation or labor charges and does not apply to materials, which have been damaged by other causes such as mishandling or improper care or abnormal use. The repair or replacement of the defective materials shall constitute the sole remedy of the Buyer and the sole remedy of Acorn under this warranty. Acorn shall not be liable under any circumstances for incidental, consequential or direct charges caused by defects in materials, or any delay in the repair or replacement thereof. This warranty is in lieu of all other warranties expressed or implied. Product maintenance instructions are issued with each unit and disregard or non-compliance with these instructions will constitute an abnormal use condition and void the warranty. Stainless steel must be protected on job sites during construction and must be properly maintained after the water has been introduced into the safety product or Acorn's warranty is void.

PRELIMINARY STEPS

1. Read the installation instructions prior to beginning the installation.
2. Separate parts from packaging and verify all necessary parts are accounted for and undamaged. Obtain missing or damaged parts from Acorn Safety prior to beginning installation.
3. Flush water supply lines prior to installation. This will remove unwanted debris from the lines and prevent unwanted blockages in the safety equipment.
4. In order to comply with ANSI Z358.1, the safety equipment must be inspected periodically. An inspection tag is provided for documentation purposes.
5. all employees at risk of contamination should be informed and trained in the use of this and any other safety equipment. The signage provided should be posted appropriately in close proximity to this equipment.

ROUGH-IN



INSTALLATION INSTRUCTIONS:

Supplies required: (not required by Acorn)

1. Floor fastener anchors, washers and bolts.
2. Pipe Sealant or Teflon tape for sealing waste connections.

IMPORTANT: FLUSH WATER SUPPLY LINES PRIOR TO CONNECTION TO SAFETY EQUIPMENT.

NOTES:

- ☐ Top of spray nozzles must be between 33" - 45" from finished floor in order to meet ANSI Z358.1
- ☐ Bottom of shower head must be between 82"-96" from finished floor in order to meet ANSI Z358.1.
- ☐ Use hand tools and wrenches in a manner which will prevent marring finished surfaces. Strap wrenches or tools with plastic jaw linings are highly recommended.
- ☐ Refer to Rough-in for location of supply and drain lines.
- ☐ Fragments of Teflon tape or pipe sealant residue can interfere with the proper operation of this unit. Ensure pipe sealant methods do not cause contamination in the system.
- ☐ Prior to beginning assembly, TURN OFF water supply to 1 1/4" potable water supply line.

STEP ONE: PEDESTAL

1. Locate and assemble components "A, B, & C" to create freestanding pedestal base using proper plumbing techniques to seal all made up threads.
2. Position center of pedestal assembly a minimum of 0'-9" from left and rear wall. Position from center of assembly a minimum of 0'-11" from right side of wall.
3. While holding the assembly in position, mark floor flange mounting hole positions.
4. Remove assembly and install appropriate anchors to receive mounting bolts and washers.

STEP TWO: UPPER SHOWER ASSEMBLY

1. Assemble components "D, E, F, G, H, & K" to pedestal subassy in sequential order using proper plumbing techniques to seal all made up threads.
2. Ensure that fittings are aligned and perpendicular as shown to allow for later stages of assembly
3. Assemble components "I & J" in a similar manner.
4. Assemble component "K" to valve.

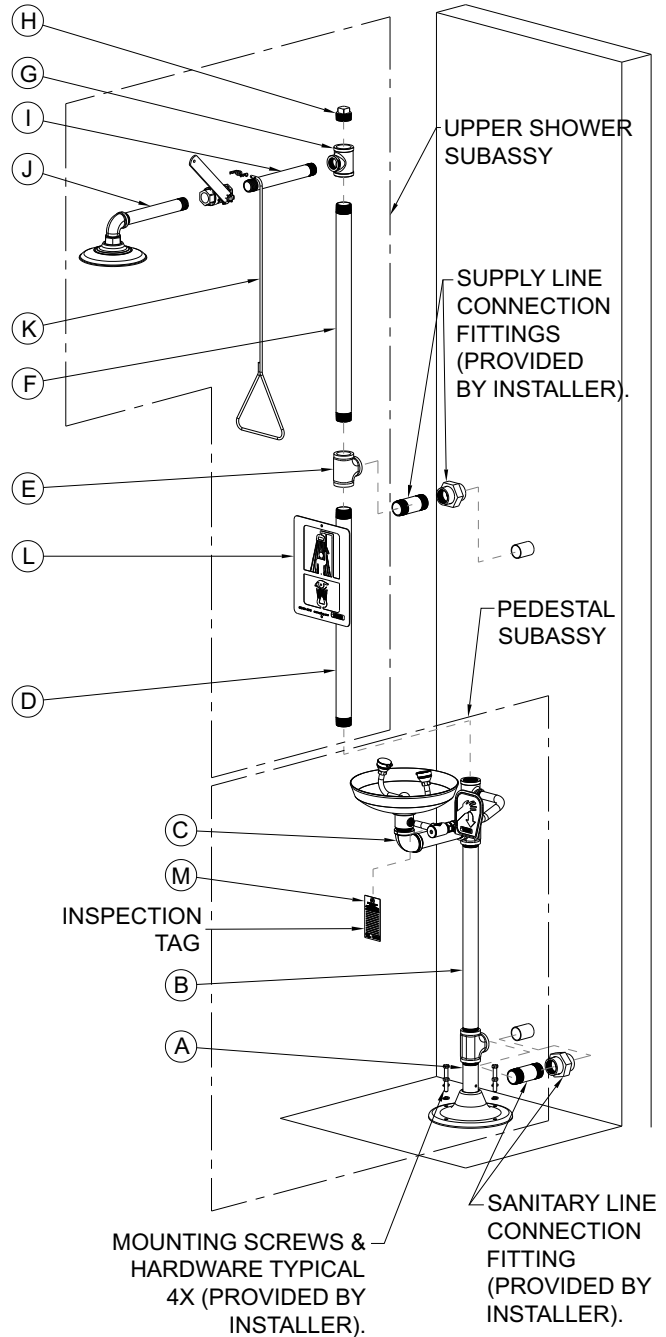
STEP THREE: SUPPLY AND SANITARY DRAIN CONNECTION

Note: Refer to Rough-In for supply and drain line locations.

1. Install necessary pipe fittings (supplied by others) to make connection to 1 1/4" NPT waste tee with sanitary drain line.
2. Install necessary pipe fittings (supplied by others) to make connection to 1 1/4" NPT supply tee w/ potable water supply line.

STEP FOUR: TEST

1. Verify 1/2" supply valve for eye/face wash and 1" supply valve for shower are turned OFF.
2. Turn on water supply to 1 1/4" potable water supply.
3. Inspect system for leaks.
4. Verify shower and eye/ face wash flow properly.



Step Five: SIGNAE AND INSPECTION

1. Install sign "L" with clear visibility as shown, with appropriate hardware (supplied by others).
2. Attach inspection tag "M" supplied, with plastic zip tie to 1/2" line as shown.

Eye/Face Wash Operation

INSTRUCTIONS:

Employees who work with hazardous materials should become familiar with the location and operation of the nearest emergency plumbing fixture. Emergency plumbing fixtures stations are simple to use and require hands free operation once the station is activated. Regular instruction regarding proper care and use will increase confidence that the units are accessible and function properly.

The route and area surrounding the Eye Wash should be clear and unobstructed; the sooner eyes are flushed, the less likelihood of damage. Eye Wash stations should be located in close proximity to the hazard and take no more than 10 seconds to reach. In the case of severe eye contamination the victim may require assistance to the Eye Wash station and help flushing their eyes.

Safety plumbing fixture equipment should be operated weekly for a period long enough to verify operation, clear the supply line of any sediment build-up and minimize microbial contamination due to sitting water.

1. To start the Eye Wash, swing spray nozzle assembly over the basin and push the paddle forward to the horizontal or fully "ON" position. Flushing should start, popping the spray nozzle caps open.
2. Lower both eyes into flow. Both eyes should be flushed to prevent contamination from one eye from being delivered to unaffected eye. Personnel who wear contact lenses should remove them immediately prior to or during the flush to prevent the contamination from remaining against the cornea possibly causing unnecessary damage or pain.
3. Using thumb and forefingers, fully open eyelids and flush eyes thoroughly for approximately 15 minutes or until medical personnel arrive. Be prepared to let the doctor know what type of contamination has entered the eye.
4. When finished return the push paddle to the vertical or fully "OFF" position and return spray nozzle assembly to standby position. Flushing fluid should stop. Once flushing fluid has stopped flowing, return spray nozzle lids to the closed position to protect from airborne contaminants.

Eye/Face Wash Maintenance Guide:

Maintain and inspect in accordance with ANSI Z358.1-2009

1. Check for obvious signs of wear, broken or defective equipment. Re-paint if necessary. Replace missing or defective equipment such as broken push paddles, missing signs and inspection tags.
2. Remove strainer and washout any debris collected –replace as required.
3. Operate Eye Wash nozzles using the push paddle to place ball valve in the fully "ON" position checking for smooth operation of valve push paddle mechanism at the same time ensuring that the Eye Wash spray nozzle caps pop off immediately when actuated. If the ball valve does not operate smoothly check the actuating assembly for binding or missing parts. If the Eye Wash spray nozzle caps do not pop off immediately when actuated check for correct supply inlet pressure.
4. While in operation, inspect spray nozzles for clogs or debris correct or replace as required.
5. Return push paddle to vertical or fully "OFF" position and swing back to stand by position. To prevent Eye Wash spray nozzles from becoming contaminated, always close nozzle lids after each use.

Shower Operation Instructions:

Employees who work with hazardous materials should become familiar with the location and operation of the nearest emergency plumbing fixture. In addition, proper clothing and equipment should be worn whenever working with hazardous materials. Emergency plumbing fixture stations are simple to use and require hands free operation once the station is activated. Regular instruction regarding proper care and use will increase confidence that the units are accessible and function properly.

The route and area surrounding the Drench Shower should be clear and unobstructed; the sooner a person has rinsed off any contamination, the less likelihood of injury. Drench Shower stations should be located in close proximity to the hazard and take no more than 10 seconds to reach. In the possibility of a strong acid or strong caustic contamination the Drench Shower should be immediately adjacent to the hazard. The victim may require assistance to the Drench Shower station and help removing shoes and clothing.

1. To start the Drench Shower pull down on the pull handle to "ON" position. The Drench Shower will start.
2. Stand directly under the spray pattern. Clothing should be removed immediately prior to or during the rinsing to prevent contamination from remaining against the body causing unnecessary injury and pain. Accept assistance removing shoes and clothing.
3. Completely rinse with arms and legs separated for approximately 15 minutes or until medical personnel arrive. Be prepared to inform medics on the type of substance that is causing the injury or contamination.
4. When finished push up on the pull handle to "OFF" position. Drenching fluid should stop.

Shower Maintenance Guide:

Maintain and inspect in accordance with ANSI Z358.1-2009

1. Check for obvious signs of wear, broken or defective equipment. Re-paint if necessary. Replace missing or defective equipment such as broken push paddles, missing signs and inspection tags.
2. Operate Drench Shower using the pull handle to place ball valve in the fully "ON" position checking for smooth operation of valve push paddle mechanism. If the ball valve does not operate smoothly check the actuating assembly for binding or missing parts.
3. Return push handle to vertical or fully "OFF" position.

Parts List

ITEM #	PART NUMBER	DESCRIPTION
1	7100-128-022	1 1/4" GALV NPT PLUG-YELLOW
2	7100-130-022	1 1/4x1 1/4x1 1/4 GALV NPT TEE-YELLOW
3	1936-018-022	1x10" NPT GALV. PIPE NIPPLE-YELLOW
4	7102-400-003	1" BALL VALVE ASSY-CHROME
	7102-414-002	1" BALL VALVE ASSY-S/S
5	7102-413-022	GALV PIPE ASSY SHWR-YELLOW
6	7102-351-000	SHOWER FLOW REGULATOR-ONLY
7	7102-300-001	PLASTIC SHOWER HEAD ASSY-YELLOW
	7102-305-001	S/S SHOWER HEAD ASSY
8	7102-350-000	PULL HANDLE- 29"
9	7100-175-022	1 1/4" x 24.41" GALV. NPT PIPE-YELLOW
10	7100-114-022	1 1/4" GALV NPT TEE-YELLOW
11	7100-175-022	1 1/4" x 24.41" GALV. NPT PIPE-YELLOW
12	7101-100-001	EYEWASH NOZZLE
	7101-104-001	FACEWASH NOZZLE
	7101-112-001	S/S EYEWASH NOZZLE (-SSE OPTION)
	7101-057-001	EYEWASH NOZZLE W/ S/S LID
	7101-058-001	FACEWASH NOZZLE W S/S LID
13	7101-003-001	YOKE STEM ASSEMBLY
14	7100-108-000	BOWL STRAINER
15	7101-005-000	PLASTIC BOWL
	7101-008-000	S/S BOWL
16	7101-046-000	PLASTIC BOWL GASKET
	7101-048-000	S/S BOWL GASKET
17	7101-054-022	BASIN DRAIN CASTING-YELLOW
18	7100-401-000	INSPECTION TAG
19	7101-081-199	5/8x3/8 NPTM ADAPTOR-CHROME
20	7101-082-199	3/8 NPT SUPPLY NIPPLE
21	7100-140-001	WATER SUPPLY STRAINER
22	7100-169-022	1 1/4" x 22.38" GALV. NPT PIPE-YELLOW
23	7101-031-022	BASE FLANGE GALV SUBASSY-YELLOW
24	7101-205-001	CHROMED BALL VALVE PADDLE- ASSY
	7101-210-001	S/S BALL VALVE PADDLE-ASSY
25	7102-026-199	1/2 TUBE x1/2 NPT FT'G-CHROME
26	7102-028-199	1/2 NPS COMP. NUT-CHROME
27	7102-032-000	1/2"OD TUBE BUNA-N SLEEVE
28	7100-211-000	BOW TIE COTTER PIN
29	7100-219-000	NYLON WASHER

